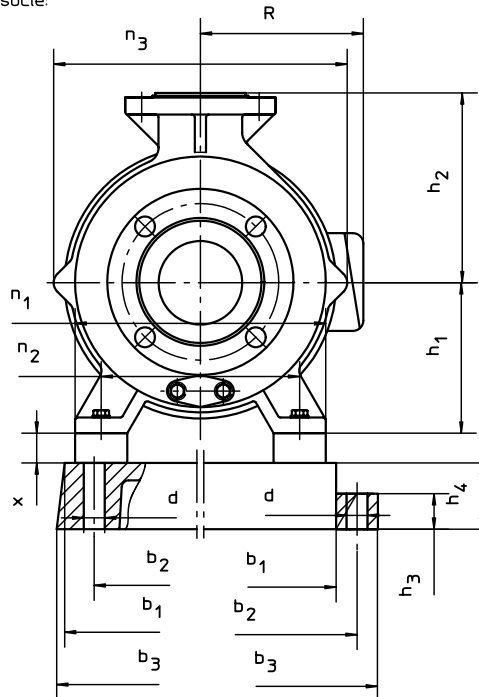


Maße in mm, dimensions in mm, dimensiones en mm

Grundplatte: 155*305 270*500
base plate: 300*900
socle:



| MNK-XB 25-100 | | |
|---|--|-------------------------------|
| IEC-Motor IEC-moteur IEC-moteur B 14 | Übergangerring transition ring baque de transition | Unterlagen support cale |
| 71 | nicht erforderlich not required pas necessaire | |
| 80 | | |

| MNK-XB: 25-125, 32-125 | | | | |
|--|--|-------------------------------|----|-----|
| IEC-Motor IEC-moteur IEC-moteur B 5 | Übergangerring transition ring baque de transition | Unterlagen support cale | | |
| | c | kg | X | kg |
| 80 / 90 | 12 | 2 | / | 0 |
| 100 / 112 | 20 | 4 | 20 | 1,6 |
| 132 | 40 | 14 | 48 | 3,9 |
| 132 (P=250) | 40 | 14 | 20 | 1,6 |

| MNK-XB: 25-160, 32-160 | | | | |
|--|--|-------------------------------|----|-----|
| IEC-Motor IEC-moteur IEC-moteur B 5 | Übergangerring transition ring baque de transition | Unterlagen support cale | | |
| | c | kg | X | kg |
| 80 / 90 | 0 | 2 | / | 0 |
| 100 / 112 | 28 | 6 | / | 0 |
| 132 | 28 | 7 | 28 | 2,2 |
| 132 (P=250) | 28 | 6 | / | 0 |
| 160 | 55 | 27 | 48 | 3,9 |

| MNK-XB: 50-160 | | | | |
|--|--|-------------------------------|----|-----|
| IEC-Motor IEC-moteur IEC-moteur B 5 | Übergangerring transition ring baque de transition | Unterlagen support cale | | |
| | c | kg | X | kg |
| 80 / 90 | 0 | 2 | / | 0 |
| 100 / 112 | 28 | 6 | / | 0 |
| 132 | 28 | 7 | / | 0 |
| 132 (P=250) | 28 | 6 | / | 0 |
| 160 | 55 | 27 | 20 | 1,6 |

| MNK-XB: 32-200, 40-200, 50-200 | | | | |
|--|--|-------------------------------|----|-----|
| IEC-Motor IEC-moteur IEC-moteur B 5 | Übergangerring transition ring baque de transition | Unterlagen support cale | | |
| | c | kg | X | kg |
| 100 / 112 | 18 | 5 | / | 0 |
| 132 | 18 | 4 | / | 0 |
| 160 | 45 | 20 | 20 | 1,6 |
| 180 | 45 | 20 | 20 | 1,6 |

| Pumpengröße pump size taille de pompe | DN _D | DN _S | a | f (O2) | h ₁ | h ₂ | n ₁ | n ₂ | n ₃ | m ₁ | m ₂ | s | w (O2) | kg |
|---|-----------------|-----------------|-----|--------|----------------|----------------|----------------|----------------|----------------|----------------|----------------|-----|--------|----|
| MNK-XB 25-100 | 25 | 25 | 55 | 117 | 100 | 120 | 150 | 126 | 173 | 70 | 50 | M8 | 106 | 25 |
| MNK-XB 25-125 | 25 | 25 | 80 | 239 | 112 | 140 | 190 | 140 | 224 | 100 | 70 | M12 | 200 | 34 |
| MNK-XB 32-125 | 32 | 50 | 80 | 239 | 112 | 140 | 190 | 140 | 224 | 100 | 70 | M12 | 200 | 36 |
| MNK-XB 25-160 | 25 | 25 | 80 | 295 | 132 | 160 | 240 | 190 | 280 | 100 | 70 | M12 | 253 | 55 |
| MNK-XB 32-160 | 32 | 50 | 80 | 295 | 132 | 160 | 240 | 190 | 280 | 100 | 70 | M12 | 253 | 57 |
| MNK-XB 50-160 | 50 | 80 | 100 | 295 | 160 | 180 | 265 | 212 | 280 | 100 | 70 | M12 | 253 | 59 |
| MNK-XB 32-200 | 32 | 50 | 80 | 304 | 160 | 180 | 240 | 190 | 280 | 100 | 70 | M12 | 256 | 64 |
| MNK-XB 40-200 | 40 | 65 | 100 | 304 | 160 | 180 | 265 | 212 | 280 | 100 | 70 | M12 | 256 | 66 |
| MNK-XB 50-200 | 50 | 80 | 100 | 304 | 160 | 200 | 265 | 212 | 280 | 100 | 70 | M12 | 256 | 68 |

| IEC-Motor IEC-moteur IEC-moteur | P | M | N | D | E | G | L _M | Q | R | T | kg |
|---------------------------------------|-----|-----|-----|----|-----|-----|----------------|-----|-----|----|----|
| 71 B / B14 | 120 | 100 | 80 | 14 | 30 | M6 | 272 | 136 | 149 | / | |
| 80 B / B14 | 120 | 100 | 80 | 19 | 40 | M6 | 310 | 157 | 190 | / | |
| 80 B / B5 | 200 | 165 | 130 | 19 | 40 | M10 | 310 | 157 | 190 | 20 | |
| 90 S / B5 | 200 | 165 | 130 | 24 | 50 | M10 | 305 | 178 | 190 | 20 | |
| 90 L / B5 | 200 | 165 | 130 | 24 | 50 | M12 | 420 | 178 | 221 | 20 | |
| 100 L / B5 | 250 | 215 | 180 | 28 | 60 | M12 | 443 | 197 | 231 | 24 | |
| 112 M / B5 | 250 | 215 | 180 | 28 | 60 | M12 | 460 | 220 | 254 | 24 | |
| 132 S / B5 | 300 | 265 | 230 | 38 | 80 | M12 | 507 | 260 | 271 | 24 | |
| 132 S / B5 ¹⁾ | 250 | 215 | 180 | 38 | 80 | M12 | 507 | 260 | 271 | 24 | |
| 132 M / B5 | 300 | 265 | 230 | 38 | 80 | M12 | 545 | 260 | 271 | 24 | |
| 132 M / B5 ¹⁾ | 250 | 215 | 180 | 38 | 80 | M12 | 545 | 260 | 271 | 24 | |
| 160 M / B5 | 350 | 300 | 250 | 42 | 110 | M16 | 610 | 310 | 292 | 32 | |
| 160 L / B5 | 350 | 300 | 250 | 42 | 110 | M16 | 662 | 310 | 292 | 32 | |
| 180 M / B5 | 350 | 300 | 250 | 48 | 110 | M16 | 667 | 341 | 309 | 32 | |

¹⁾ Maße nicht nach DIN 42677, dimensions not as per DIN 42677, dimensiones ne pas selon DIN 42677

| Grundplattengröße base plate size taille du socle | l ₁ | l ₂ | l ₃ | l ₄ | h ₃ | h ₄ | b ₁ | b ₂ | b ₃ | d | kg |
|---|----------------|----------------|----------------|----------------|----------------|----------------|----------------|----------------|----------------|----|----|
| 155 * 305 | 305 | 90 | 155 | - | - | 15 | 155 | 130 | 155 | 12 | 3 |
| 270 * 500 | 500 | 90 | 320 | - | 30 | 30 | 270 | 320 | 360 | 19 | 16 |
| 300 * 900 | 900 | 150 | 600 | 90 | 35 | 65 | 300 | 350 | 390 | 19 | 37 |

| | Gewichte weights poids [kg] | Länge length longeur [mm] |
|--|-----------------------------------|---------------------------------|
| Pumpe pump pompe | | |
| Motor motor moteur | | |
| Übergangerring transition ring baque de transition | | |
| Unterlagen support cale | | |
| Grundplatte base plate socle | | |
| Σ | | L= |

Aufstellungsplan für Freistrom-Pumpen MNK-XB
Outline drawing for vortex-pumps MNK-XB
Cotes d'encombrement des vortex-pompes MNK-XB



© Richter Chemie-Technik GmbH
Otto-Schott-Str.2 D-47906 Kempen
Tel. +49(0)2152/146-0, Fax +49(0)2152/146-190, e-mail: info-richter@richter-ct.com

| Datum | Name | Maßstab |
|----------------------------------|-----------|---------|
| 27.07.1995 | Herezniak | 1:1.5 |
| 11.07.2006 | Wimmer | |
| Zeichn.-Nr. 9230-71-1072/4-03 | | |
| Komm.-Nr. | | |
| Blatt 1 | von 1 Bl. | |